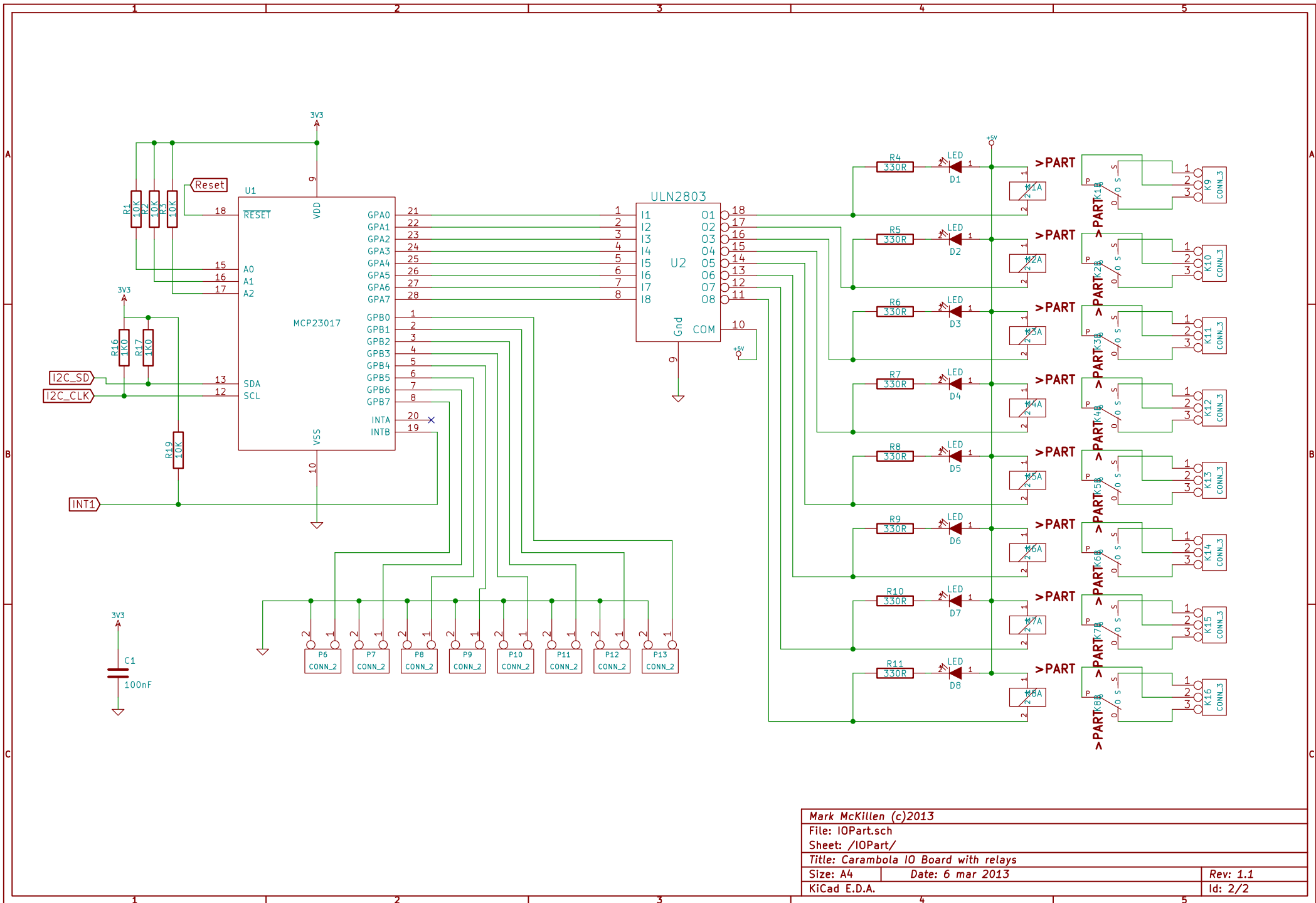


IOPart
IOPart.sch



Mark McKillen (c)2013		
File: IOPart.sch		
Sheet: /IOPart/		
Title: Carambola IO Board with relays		
Size: A4	Date: 6 mar 2013	Rev: 1.1
KiCad E.D.A.		Id: 2/2